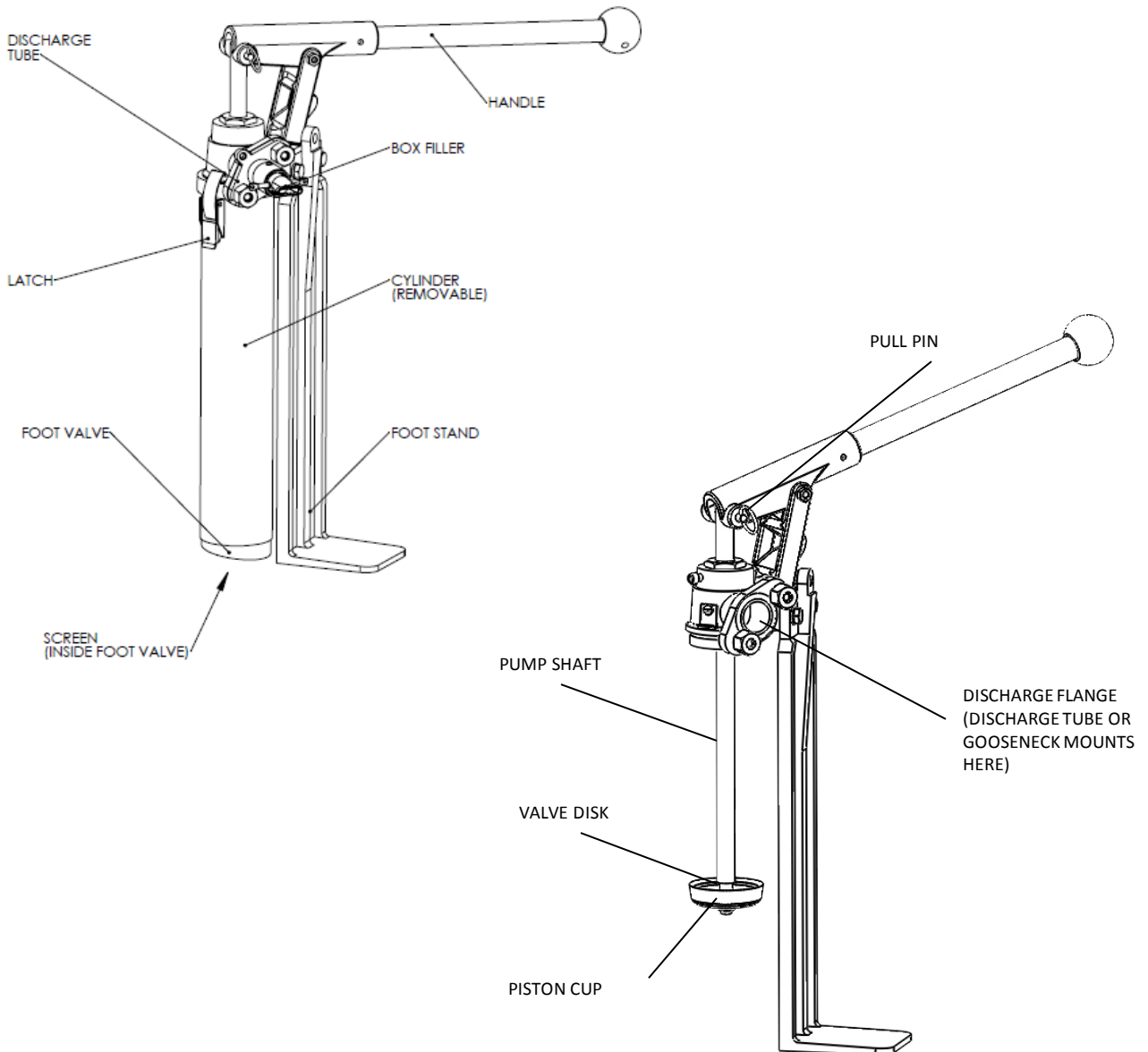


Models: 76TT (Pump) & 90T (Filler)



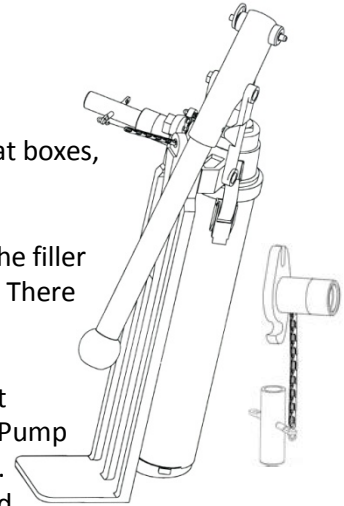
Models: 76TT (Pump) & 90T (Filler)

Operation

With its two nozzles, the EasyClean™ Pump fills nail spotters, automatic tapers, flat boxes, corner applicators and the MudRunner®

The filler attachment is secured to the EasyClean™ Pump by aligning the slots of the filler over the studs on the EasyClean™ Pump housing and tightening the two hex nuts. There is no additional gasket required between the EasyClean™ Pump and the filler .

Place the EasyClean™ Pump in a standard five gallon bucket, making sure the joint compound is well mixed and free of lumps. A new or freshly cleaned EasyClean™ Pump should be primed before use by pouring 1/2 cup (100 ml) of water into the outlet. Once the EasyClean™ Pump is full of joint compound, no further priming is needed.



Maintenance

The EasyClean™ Pump can be disassembled by disengaging the two clasps at the top of the EasyClean® Pump and pulling the barrel away from the main EasyClean™ Pump body. The plunger can then be removed by disengaging the quick release pin and sliding the plunger through the EasyClean™ Pump housing.

The foot valve can be removed by twisting and pulling the valve down and away from the cylinder.

The EasyClean™ Pump can now be cleaned by using a water hose or water and a brush to remove the joint compound from the EasyClean® Pump housing and plunger. Then, after the tool is clean, lightly oil with Ames® Bazooka® Oil or any light machine oil. To keep your EasyClean™ Pump in top working order, you may need to replace the screen and o-rings on your EasyClean™ Pump. These items should be checked when you clean your EasyClean™ Pump.

Common Wear Parts

- Screen (Fine): 700032F
- Screen (Coarse): 700033F
- O-Ring: 729071
- O-Ring: 729072
- O-Ring: 709034

These wear parts are available as a maintenance kit - Model 501J.